

يوروتكش م ح
EUROTECH FZCO



Eurotech Enclosures

EXTENDABLE SERIES



ENERGY



INDUSTRY



RESIDENTIAL



INFRASTRUCTURE



EHS Award
Silver Medal 2007



ASTA
Certified

EUROTECH ENCLOSURES - EXTENDABLE SERIES

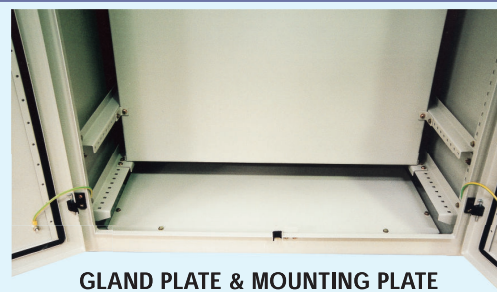


Extendable Enclosures

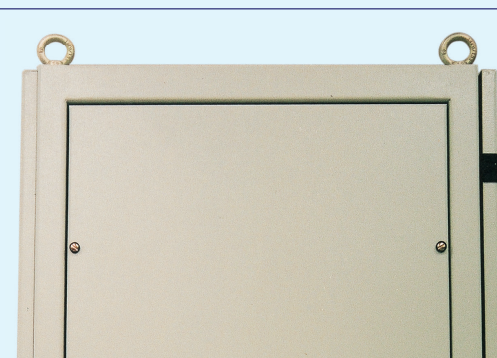
- ⤴ These enclosures are available in four convenient widths.
- ⤴ Enclosures are extendable which make them suitable for long single switchboard with removable rear and side panels.
- ⤴ Electro-galvanized steel sheet combined with zinc phosphating and electrostatic powder coating with polyester powder (RAL 7032-texture) gives excellent resistance to corrosion in the hot, humid & salt laden atmosphere.
- ⤴ 180 degree openable, concealed hinges and lockable swing handle with flat rod locking system improves the aesthetics and ensures IP rating.
- ⤴ Glanding space of 25mm at the bottom avoids additional plinth.
- ⤴ Neoprene gasketed gland plate at the bottom with ample cabling space.
- ⤴ Perforated vertical corner members allow fixing of additional depth members, multiple mounting plates at different levels or fully adjustable common mounting plate.
- ⤴ Eye bolts for ease of handling.
- ⤴ Welded earth studs for door/body earthing.
- ⤴ ASTA certified for degree of protection IP55



EARTHING BETWEEN BODY & DOOR



GLAND PLATE & MOUNTING PLATE

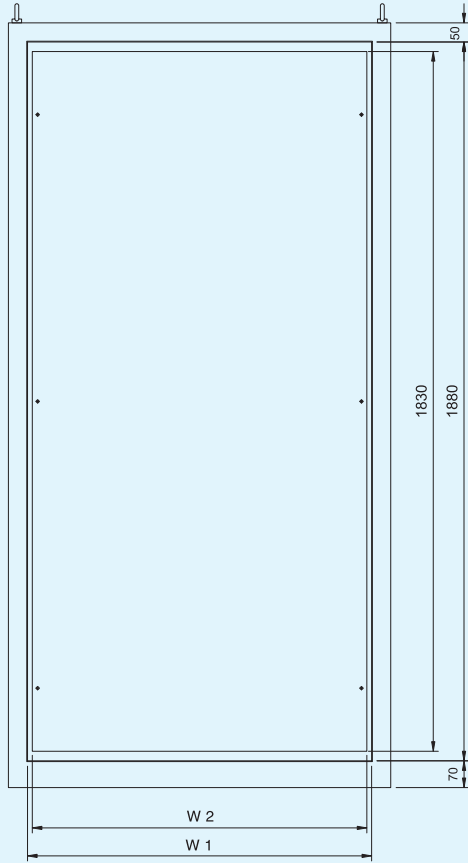


HINGES

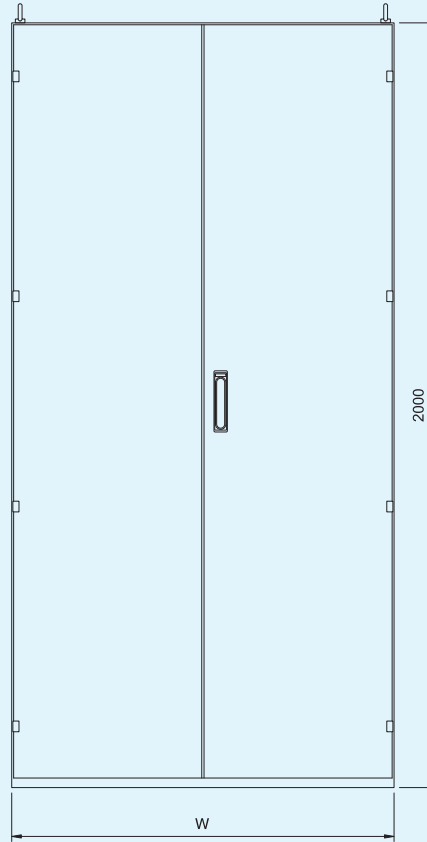


LOCK

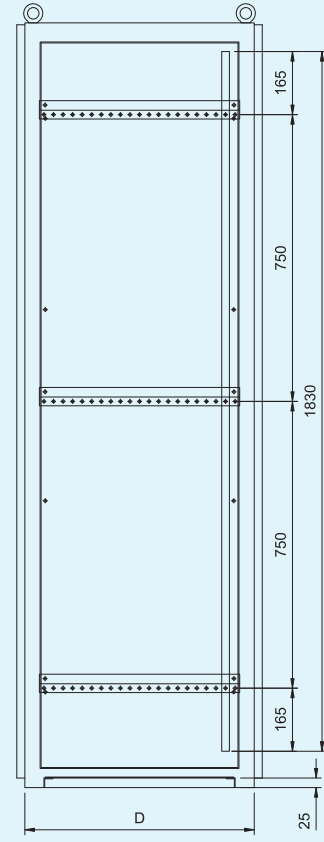
FRONT VIEW (WITHOUT DOOR)



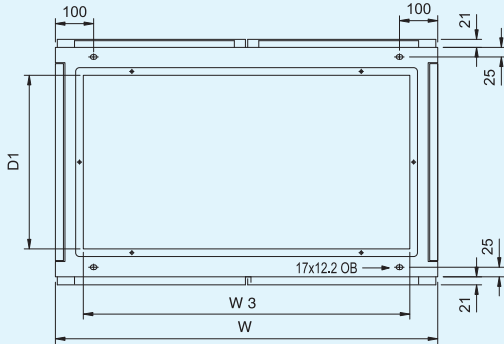
FRONT VIEW




SIDE VIEW



BOTTOM GLAND PLATE & FOUNDATION



LOCK TYPE

LOCK TYPE	
Standard	Swing Handle with Key 
Optional	Swing Handle with Pad Lock Facility

ORDERING REFERENCES

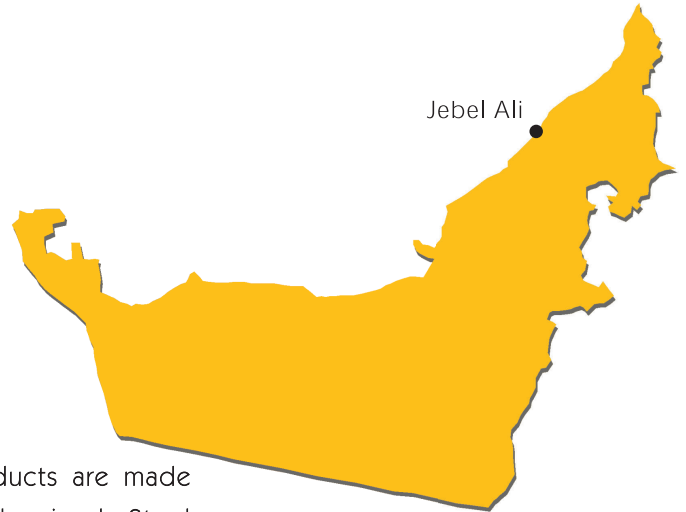
S. No.	EUROTECH REFERENCES	SIZE: H x W x D	THICK	DOORS	REAR COVER	W1	W3	D1	MOUNTING PLATE		
									H2	W2	THICK
1.	ETX 206/600 SD + MP	2000 x 600 x 600	2	1	1	500	454	454	1830	475	2.5
2.	ETX 208/600 SD + MP	2000 x 800 x 600	2	1	1	700	654	454	1830	675	2.5
3.	ETX 2010/600 SD + MP	2000 x 1000 x 600	2	1	1	900	854	454	1830	875	2.5
4.	ETX 2010/600 DD + MP	2000 x 1000 x 600	2	2	1	900	854	454	1830	875	2.5
5.	ETX 2012/600 DD + MP	2000 x 1200 x 600	2	2	2	1100	1054	454	1830	1075	2.5
6.	ETX 206/800 SD + MP	2000 x 600 x 800	2	1	1	500	454	654	1830	475	2.5
7.	ETX 208/800 SD + MP	2000 x 800 x 800	2	1	1	700	654	654	1830	675	2.5
8.	ETX 2010/800 SD + MP	2000 x 1000 x 800	2	1	1	900	854	654	1830	875	2.5
9.	ETX 2010/800 DD + MP	2000 x 1000 x 800	2	2	1	900	854	654	1830	875	2.5
10.	ETX 2012/800 DD + MP	2000 x 1200 x 800	2	2	2	1100	1054	654	1830	1075	2.5

ALL DIMENSIONS ARE IN MM



EUROTECH has superior level of engineering competence in manufacturing metal enclosures for Low and Medium voltage Switchgear. It can very quickly respond to the highly demanding market.

With well qualified and experienced engineers and equipped with latest tailor-made Design and Engineering software and most modern state of the art manufacturing machinery like CNC Punch Presses, CNC Pressbrakes, welding machines **EUROTECH** can offer products which are consistent in quality giving full reliability to the customer.



EUROTECH Products are made of Electro Galvanised Steel sheets, Aluminium and Stainless steel.

To withstand the highly corrosive, hot, humid and salt laden atmospheric conditions, **EUROTECH** plant is equipped with conveyerised, 7 stage spray zinc phosphating pretreatment process combined with automatic electrostatic polyester powder coating ensuring the durability of its products.

In a nutshell, Eurotech offers value for money to the customer in UAE which is vouched by prestigious clients.



EUROTECH FZCO

Manufacturing of Metal Enclosures & Trading in Electrical Switchboards

P.O. Box: 61196, Jebel Ali, Dubai, United Arab Emirates
Tel: 00971 4 8830333, Fax: 00971 4 8830339, E-mail: general@eurotech-fzco.ae